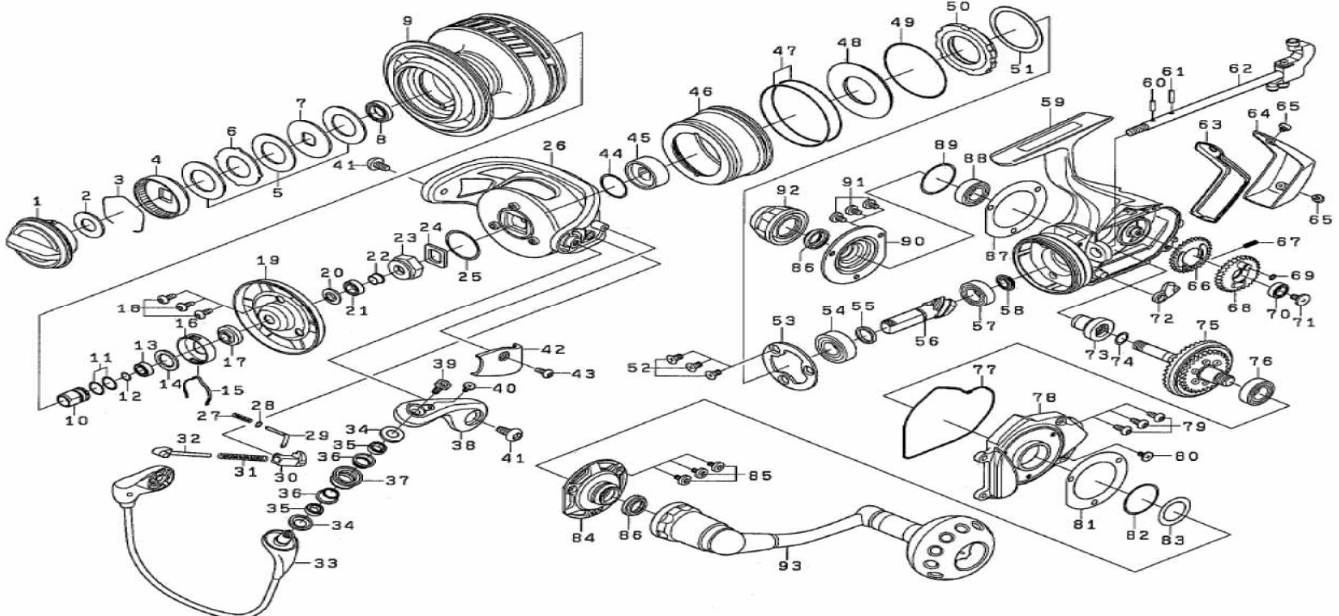


Please order by parts number, not key number  
 Veuillez indiquer le numéro de la pièce (Non "Key" No.)



# SPINNING REEL

# SALTIGA 4500H/5000H



Key No.	4500H Part No.	5000H Part No.	Parts Name
1	H50-6801	H50-6801	DRAG KNOB ASSEMBLY
2	H61-6701	H61-6701	WASHER
3	F71-0001	F71-0001	RING
4	G16-5603	G16-5603	RATCHET
5	H24-7202	H24-7202	WASHER
6	G16-5901	G16-5901	WASHER
7	G16-2701	G16-2701	WASHER
8	E45-3901	E45-3901	BALL BEARING
9	H55-7801	H55-7601	SPOOL ASSEMBLY
10	G16-3101	G16-3101	SPOOL METAL
11	G16-3201	G16-3201	O-RING
12	G16-3001	G16-3001	O-RING
13	B35-8601	B35-8601	BALL BEARING
14	H50-5301	H50-5301	WASHER
15	B74-7701	B74-7701	LEAF SPRING
16	E12-2301	E12-2301	CAP
17	G16-2901	G16-2901	SPOOL METAL
18	H50-3901	H50-3901	SCREW
19	H50-5101	H50-5101	COLLAR
20	H50-5001	H50-5001	PACKING
21	G46-7102	G46-7102	BALL BEARING
22	H50-4901	H50-4901	COLLAR
23	H50-4801	H50-4801	NUT
24	G39-2201	G39-2201	PLATE
25	H50-1001	H50-1001	O-RING
26	H50-3201	H50-3201	ROTOR
27	H50-3401	H50-3401	SPRING
28	G68-5401	G68-5401	WASHER
29	H50-3301	H50-3301	SHAFT
30	H50-3501	H50-3501	COLLAR
31	G16-0401	G16-0401	SPRING
32	G01-7503	G01-7503	KICK ARM
33	H50-4001	H50-4001	BAIL AS
34	G16-2001	G16-2001	PACKING
35	G37-0905	G37-0905	BALL BEARING
37	H50-4501	H50-4501	LINE ROLLER
38	H50-3601	H50-3601	ARM LEVER
39	H50-4701	H50-4701	SCREW
40	H53-1501	H53-1501	SCREW
41	H50-3701	H50-3701	SCREW
42	H50-3801	H50-3801	COVER(A)
43	H50-3901	H50-3901	SCREW
44	H25-5001	H25-5001	O-RING
45	H50-2301	H50-2301	CLUTCH RING
46	H50-2902	H50-2902	NUT
47	H62-9701	H62-9701	RING
48	H53-5301	H53-5301	MAGNET AS
49	H50-2601	H50-2601	O-RING
50	F76-5401	F76-5401	ONEWAY CLUTCH
51	F19-7302	F19-7302	WASHER

Key No.	4500H Part No.	5000H Part No.	Parts Name
52	F20-6902	F20-6902	FLAT HEAD SCREW
53	H50-1901	H50-1901	PLATE
54	G35-5001	G35-5001	BALL BEARING
55	H50-1801	H50-1801	COLLAR
56	Z02-0216	Z02-0216	GEAR UNIT
57	G52-2702	G52-2702	BALL BEARING
58	H50-1601	H50-1601	COLLAR
59	H50-0603	H50-0603	BODY ASSEMBLY
60	G22-4101	G22-4101	PIN
61	G16-2801	G16-2801	PIN
62	H50-1301	H50-1301	OSCILLING SLIDER AS
63	H50-3001	H50-3001	PACKING
64	H50-3101	H50-3101	CAP
65	G94-6802	G94-6802	SCREW
66	G59-1501	G59-1501	GEAR
67	G15-7401	G15-7401	SPRING
68	H55-7401	H55-7401	OSCILLATE GEAR
69	G21-3001	G21-3001	O-RING
70	G46-7102	G46-7102	BALL BEARING
71	H27-2201	H27-2201	SCREW
72	G15-9301	G15-9301	STOPPER ASSEMBLY
73	H50-0801	H50-0801	GEAR
74	G25-2201	G25-2201	O-RING
75	Z02-0216	Z02-0216	GEAR UNIT
76	G52-2802	G52-2802	BALL BEARING
77	H50-2101	H50-2101	PACKING
78	H50-2002	H50-2002	BODY COVER
79	G16-0101	G16-0101	SCREW
80	H50-5201	H50-5201	SCREW
81	H53-2401	H53-2401	NAME PLATE
82	H50-1001	H50-1001	O-RING
83	H50-2201	H50-2201	WASHER
84	H53-2501	H53-2501	BODY COVER(A)
85	G94-6801	G94-6801	SCREW
86	H50-5401	H50-5401	PACKING
87	H53-2401	H53-2401	NAME PLATE
88	G52-2802	G52-2802	BALL BEARING
89	H50-1001	H50-1001	O-RING
90	H50-1101	H50-1101	BODY COVER(A)
91	G94-6801	G94-6801	SCREW
92	H50-6201	H50-6201	CAP
93	H50-5502	H50-5502	HANDLE ASSEMBLY
200	375-3005	375-3005	HANDLE KNOB WASHER
201	G46-6204	G46-6204	HANDLE KNOB BALL BEARING
202	H50-5902	H50-5902	HANDLE KNOB (GUNMETAL / BLUE)*
203	H53-7101	H53-7101	HANDLE KNOB (SILVER)
204	E45-4003	E45-4003	HANDLE KNOB SCREW
205	H53-7201	H53-7201	HANDLE KNOB O-RING
206	H50-6101	H50-6101	HANDLE KNOB SCREW