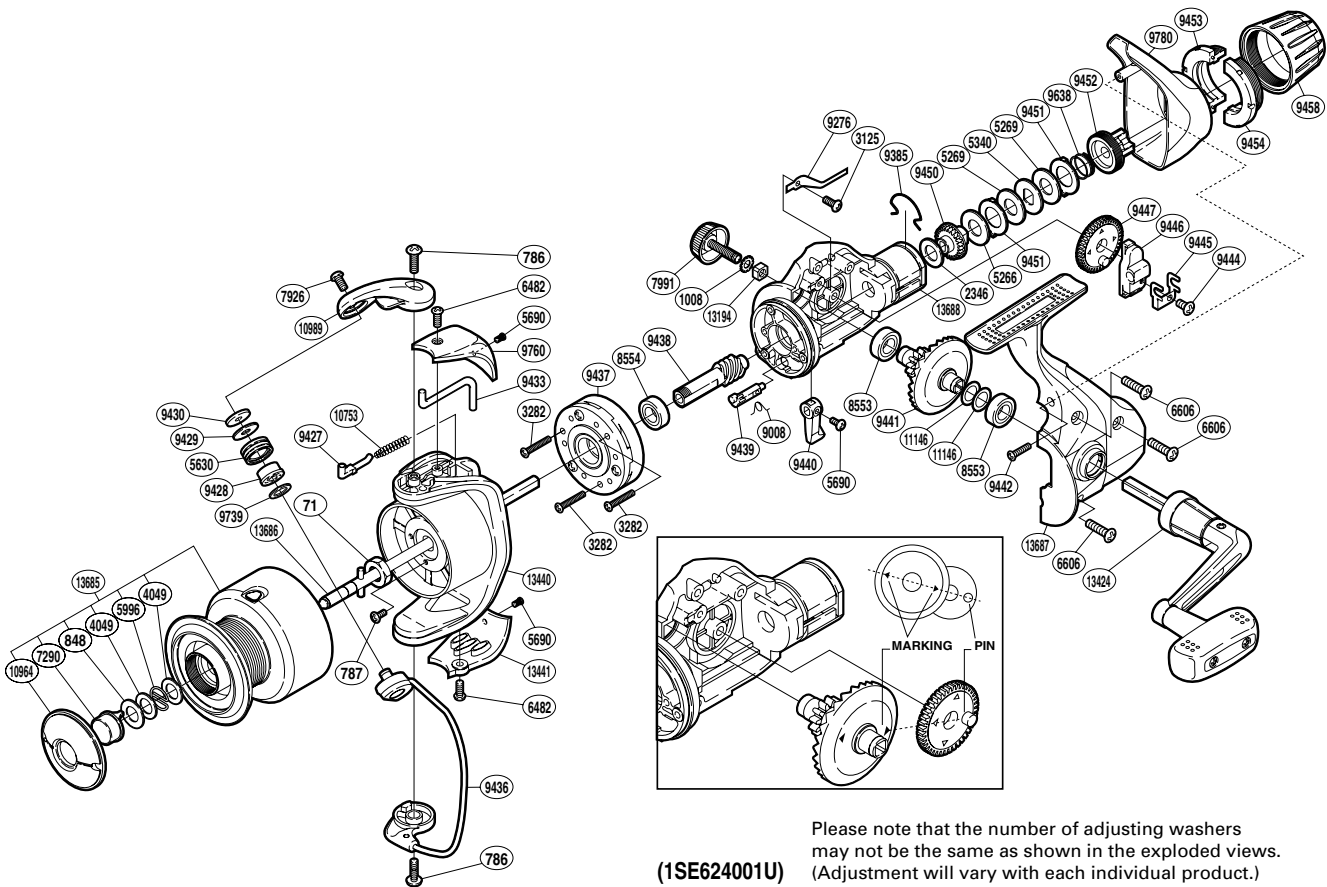


SHIMANO

SIENNA

SN-4000RD



Please note that the number of adjusting washers may not be the same as shown in the exploded views. (Adjustment will vary with each individual product.)

(1SE624001U)

Part No.	Description	Part No.	Description	Part No.	Description
RD 0071	Rotor Nut	RD 8554	Ball Bearing	RD 9451	Eared Washer
RD 0786	Screw	RD 9008	Anti-Reverse Cam Spring	RD 9452	Pressure Screw
RD 0787	Screw	RD 9276	Drag Click	RD 9453	Drag Programmer B1
RD 0848	Washer	RD 9385	Hold Click Spring	RD 9454	Drag Programmer B2
RD 1008	Handle Lock Washer	RD 9427	Bail Spring Guide	RD 9458	Drag Programmer A
RD 2346	Drag Washer	RD 9428	Line Roller Bushing	RD 9638	Drag Coil Spring
RD 3125	Screw	RD 9429	Line Roller Spacer	RD 9739	Bearing Spacer
RD 3282	Screw	RD 9430	Line Roller Washer	RD 9760	Bail Spring Cover
RD 4049	Washer	RD 9433	Bail Trip Lever	RD 9780	Rear Protector
RD 5266	Drag Washer	RD 9436	Bail Assembly	RD10753	Bail Spring
RD 5269	Drag Washer	RD 9437	Roller Clutch Assembly	RD10964	Push Button Collar
RD 5340	Key Washer	RD 9438	Pinion Gear	RD10989	Bail Arm
RD 5630	Line Roller	RD 9439	Anti-Reverse Cam	RD11146	Washer
RD 5690	Screw	RD 9440	Anti-Reverse Lever	RD13194	Handle Screw Lock
RD 5996	Locking Spring	RD 9441	Drive Gear	RD13424	Handle Assembly
RD 6482	Screw	RD 9442	Screw	RD13440	Rotor
RD 6606	Screw	RD 9444	Screw	RD13441	Bail Hold Support Guard
RD 7290	Push Button	RD 9445	Oscillating Slider Retainer	RD13685	Spool Assembly
RD 7926	Screw	RD 9446	Oscillating Slider	RD13686	Main Shaft
RD 7991	Handle Screw Cap	RD 9447	Oscillating Gear	RD13687	Side Cover
RD 8553	Ball Bearing	RD 9450	Drag Shaft	RD13688	Body