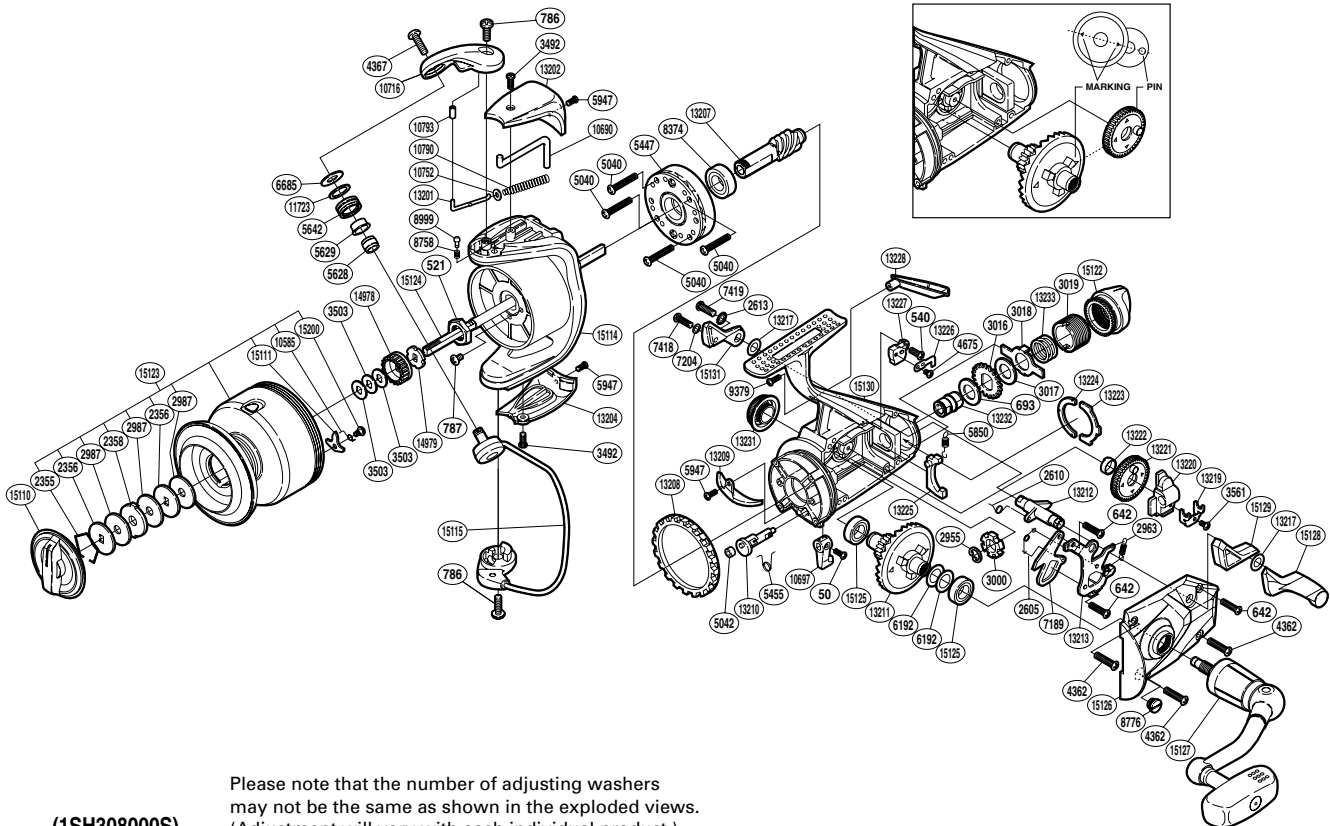


# SHIMANO

## BAITRUNNER

## BTR-8000OC



(1SH30800S)

Please note that the number of adjusting washers may not be the same as shown in the exploded views. (Adjustment will vary with each individual product.)

Part No.	Description	Part No.	Description	Part No.	Description
RD 0050	Screw	RD 5629	Line Roller Bushing	RD13213	Clutch Plate Assembly
RD 0521	Rotor Nut	RD 5642	Line Roller	RD13217	Spacer
RD 0540	Screw	RD 5850	BaitRunner Pawl Spring	RD13219	Oscillating Slider Retainer
RD 0642	Screw	RD 5947	Screw	RD13220	Oscillating Slider
RD 0693	Free Spool Tension Washer	RD 6192	Washer	RD13221	Oscillating Gear
RD 0786	Screw	RD 6685	Line Roller Washer	RD13222	Oscillating Gear Bushing
RD 0787	Screw	RD 7189	Clutch Pawl	RD13223	Dial Retainer
RD 2355	Drag Washers Retainer	RD 7204	Lock Washer	RD13224	Dial Retainer B
RD 2356	Key Washer	RD 7418	Screw	RD13225	BaitRunner Pawl
RD 2358	Eared Washer	RD 7419	Screw	RD13226	Dial Click
RD 2605	Clutch Pawl Spring	RD 8374	Ball Bearing	RD13227	BaitRunner Pawl Guide
RD 2610	Clutch Spring	RD 8758	Click Spring	RD13228	Body I.D. Plate
RD 2613	Lock Washer	RD 8776	Oil Cap	RD13231	Handle Screw Cap
RD 2955	C Lock	RD 8999	Click Pin	RD13232	Free Spool Tension Shaft
RD 2963	BaitRunner Click Spring	RD 9379	Screw	RD13233	Free Spool Tension Spring
RD 2987	Drag Washer	RD10585	Click Spring	RD14978	Spool Support A
RD 3000	BaitRunner Ratchet	RD10690	Bail Trip Lever	RD14979	Spool Support B
RD 3016	Click Gear	RD10697	Anti-Reverse Lever	RD15110	Drag Knob
RD 3017	Free Spool Tension Washer	RD10716	Bail Arm	RD15111	Drag Click
RD 3018	Eared Washer	RD10752	Spring Guide A Support	RD15114	Rotor
RD 3019	Free Spool Tension Screw	RD10790	Bail Spring	RD15115	Bail Assembly
RD 3492	Screw	RD10793	Bail Arm Collar	RD15122	BaitRunner Tension Dial
RD 3503	Spool Washer	RD11723	Line Roller Spacer	RD15123	Spool Assembly
RD 3561	Screw	RD13201	Bail Spring Guide A	RD15124	Main Shaft
RD 4362	Screw	RD13202	Bail Spring Cover	RD15125	Ball Bearing
RD 4367	Screw	RD13204	Bail Hold Support Guard	RD15126	Side Cover
RD 4675	Screw	RD13207	Pinion Gear	RD15127	Handle Assembly
RD 5040	Screw	RD13208	Friction Ring	RD15128	BaitRunner Lever Arm L
RD 5042	Anti-Reverse Cam Ring	RD13209	Bail Trip Strike	RD15129	BaitRunner Lever Bridge
RD 5447	Roller Clutch Assembly	RD13210	Anti-Reverse Cam	RD15130	Body
RD 5455	Anti-Reverse Cam Spring	RD13211	Drive Gear	RD15131	BaitRunner Lever Arm R
RD 5628	Line Roller Collar	RD13212	BaitRunner Lever Shaft	RD15200	Screw

(231224)