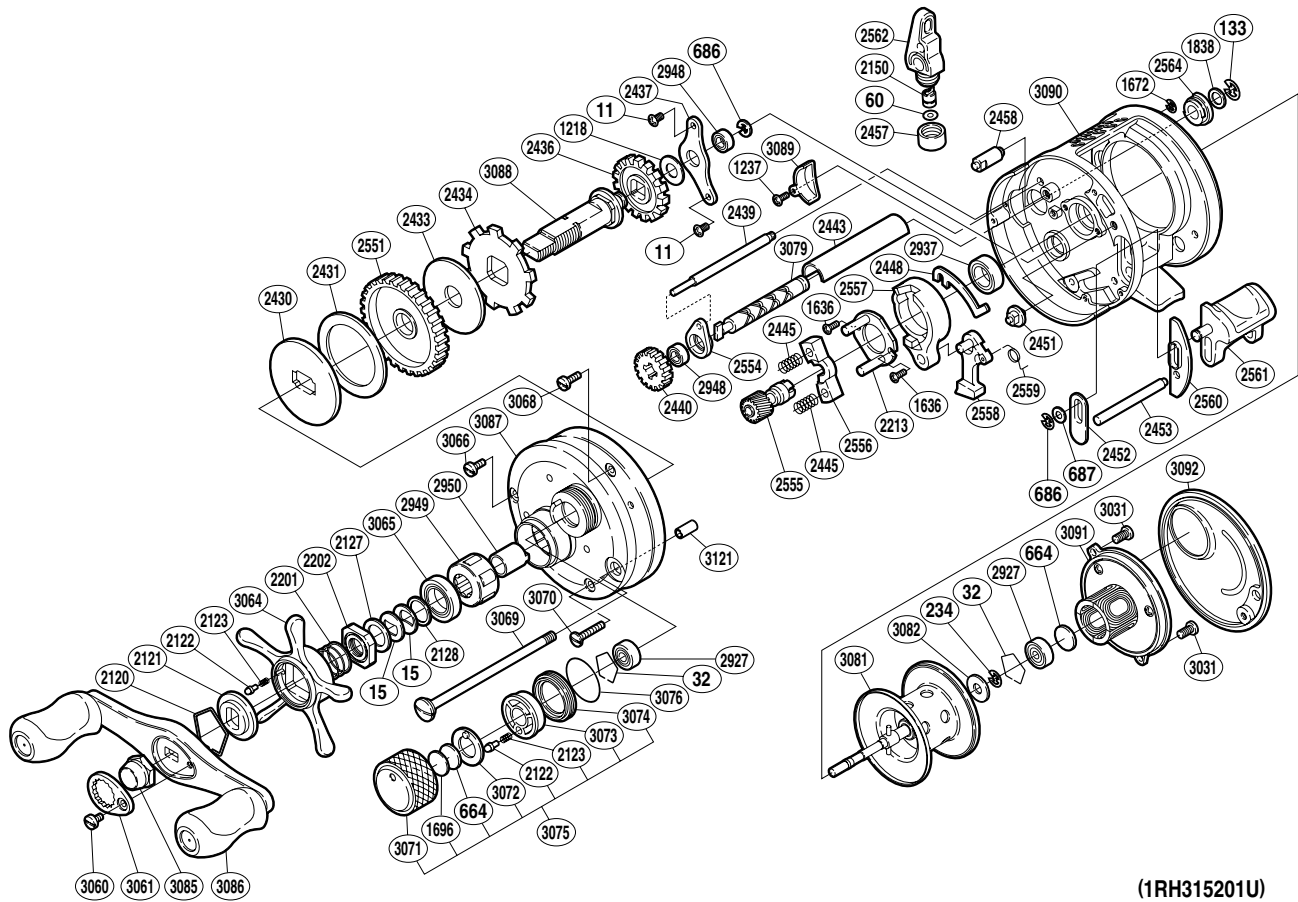


SHIMANO®

CALCUTTA TE

CTE-201DC



(1RH315201U)

Part No.	Description	Part No.	Description	Part No.	Description
BNT0011	Drive Shaft Retainer Screw	BNT2434	Anti-Reverse Ratchet	BNT2950	Roller Clutch Inner Tube
BNT0015	Drag Spring Washer	BNT2436	Idle Gear (A)	BNT3031	Digital Control Screw
BNT0032	Bearing Retainer	BNT2437	Drive Shaft Retainer	BNT3060	Handle Nut Plate Screw
BNT0060	Spacer (optional)	BNT2439	Level Wind Guide	BNT3061	Handle Nut Plate
BNT0133	"E" Lock	BNT2440	Idle Gear (C)	BNT3064	Star Drag
BNT0234	"E" Lock	BNT2443	Level Wind Guard	BNT3065	Star Drag Bearing
BNT0664	Spacer (B)	BNT2445	Yoke Spring	BNT3066	Left Side Plate Screw (C) (short)
BNT0686	"E" Lock	BNT2448	Clutch Plate	BNT3068	Left Side Plate Screw (A)
BNT0687	Spacer	BNT2451	Set Pin	BNT3069	Side Plate Shaft
BNT1218	Idle Gear (A) Spacer	BNT2452	Clutch Bar Guide (A)	BNT3070	Left Side Plate Screw (B) (long)
BNT1237	Shield Screw	BNT2453	Clutch Bar Support	BNT3071	Cast Control Cap
BNT1636	Clutch Cam Screw	BNT2457	Pawl Cap	BNT3072	Cast Control Click Plate
BNT1672	"E" Lock	BNT2458	Anti-Reverse Pawl Pin	BNT3073	Click Pin Holder
BNT1696	Cast Control Spacer (B)	BNT2551	Drive Gear	BNT3074	Cast Control Click Holder
BNT1838	Worm Shaft Spacer	BNT2554	Worm Bushing (A)	BNT3075	Cast Control Cap Assembly
BNT2120	Click Plate Retainer	BNT2555	Pinion Gear	BNT3076	"O" Ring
BNT2121	Star Drag Click	BNT2556	Yoke	BNT3079	Worm Shaft
BNT2122	Click Pin	BNT2557	Clutch Cam	BNT3081	Spool Assembly
BNT2123	Click Spring	BNT2558	Clutch Pawl	BNT3082	Magnetic Plate
BNT2127	Star Drag Spacer	BNT2559	Clutch Pawl Spring	BNT3085	Handle Nut
BNT2128	Bearing Washer	BNT2560	Clutch Bar Guide (B)	BNT3086	Handle Assembly
BNT2150	Line Guide Pawl	BNT2561	Quick-Fire II Clutch Bar	BNT3087	Left Side Plate
BNT2201	Star Drag Spring	BNT2562	Line Guide	BNT3088	Drive Shaft
BNT2202	Star Drag Nut	BNT2564	Worm Bushing (B)	BNT3089	Frame Shield
BNT2213	Clutch Cam Retainer	BNT2927	Ball Bearing	BNT3090	One-Piece Frame
BNT2430	Key Washer	BNT2937	Ball Bearing	BNT3091	Digital Control Assembly
BNT2431	Drag Washer (C)	BNT2948	Ball Bearing	BNT3092	Right Side Plate
BNT2433	Drag Washer (A)	BNT2949	Roller Clutch Bearing	BNT3121	Side Plate Screw Collar

(160204)