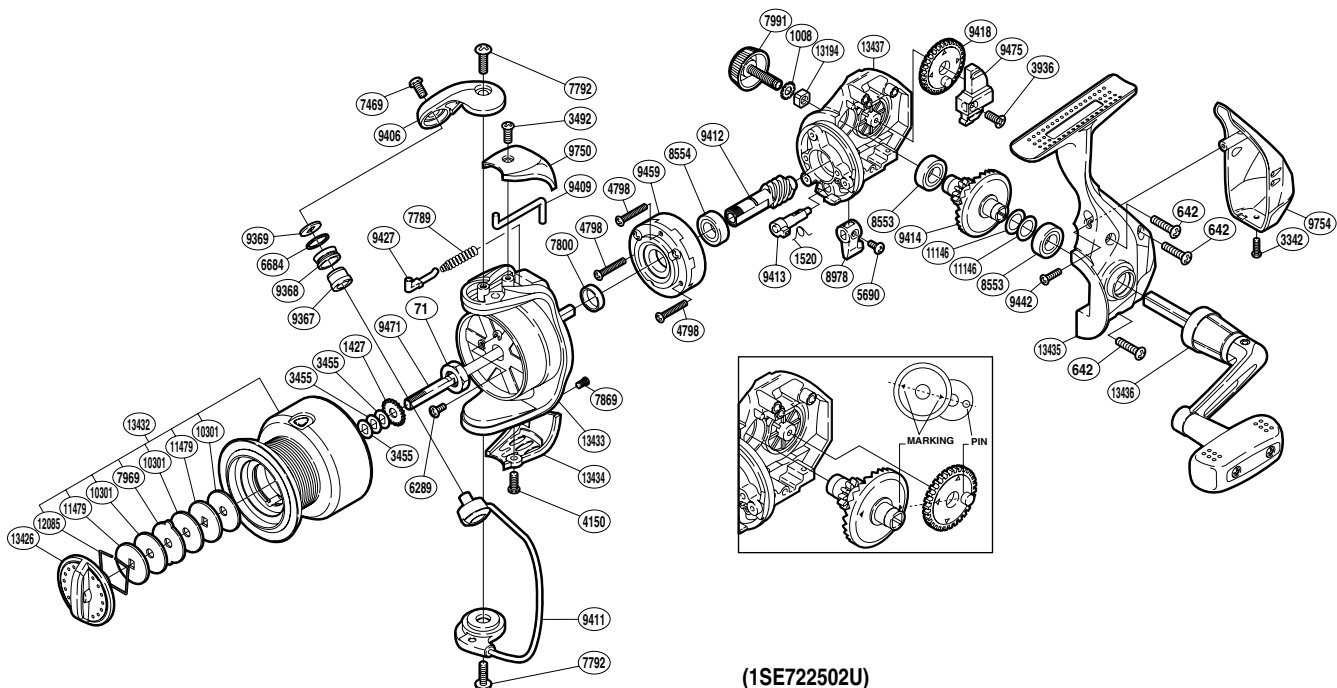


SHIMANO

SIENNA

SN-2500FD



(1SE722502U)

Please note that the number of adjusting washers may not be the same as shown in the exploded views. (Adjustment will vary with each individual product.)

Part No.	Description	Part No.	Description	Part No.	Description
RD 0071	Rotor Nut	RD 7869	Screw	RD 9459	Roller Clutch Assembly
RD 0642	Screw	RD 7969	Eared Washer	RD 9471	Main Shaft
RD 1008	Handle Lock Washer	RD 7991	Handle Screw Cap	RD 9475	Oscillating Slider
RD 1427	Spool Support	RD 8553	Ball Bearing	RD 9750	Bail Spring Cover
RD 1520	Anti-Reverse Cam Spring	RD 8554	Ball Bearing	RD 9754	Rear Protector
RD 3342	Screw	RD 8978	Anti-Reverse Lever	RD10301	Drag Washer
RD 3455	Spool Washer	RD 9367	Line Roller Bushing	RD11146	Washer
RD 3492	Screw	RD 9368	Line Roller	RD11479	Key Washer
RD 3936	Screw	RD 9369	Line Roller Washer	RD12085	Drag Washers Retainer
RD 4150	Screw	RD 9406	Bail Arm	RD13194	Handle Screw Lock
RD 4798	Screw	RD 9409	Bail Trip Lever	RD13426	Drag Knob
RD 5690	Screw	RD 9411	Bail Assembly	RD13432	Spool Assembly
RD 6289	Screw	RD 9412	Pinion Gear	RD13433	Rotor
RD 6684	Line Roller Spacer	RD 9413	Anti-Reverse Cam	RD13434	Bail Hold Support Guard
RD 7469	Screw	RD 9414	Drive Gear	RD13435	Side Cover
RD 7789	Bail Spring	RD 9418	Oscillating Gear	RD13436	Handle Assembly
RD 7792	Screw	RD 9427	Bail Spring Guide	RD13437	Body
RD 7800	Rotor Ring	RD 9442	Screw		