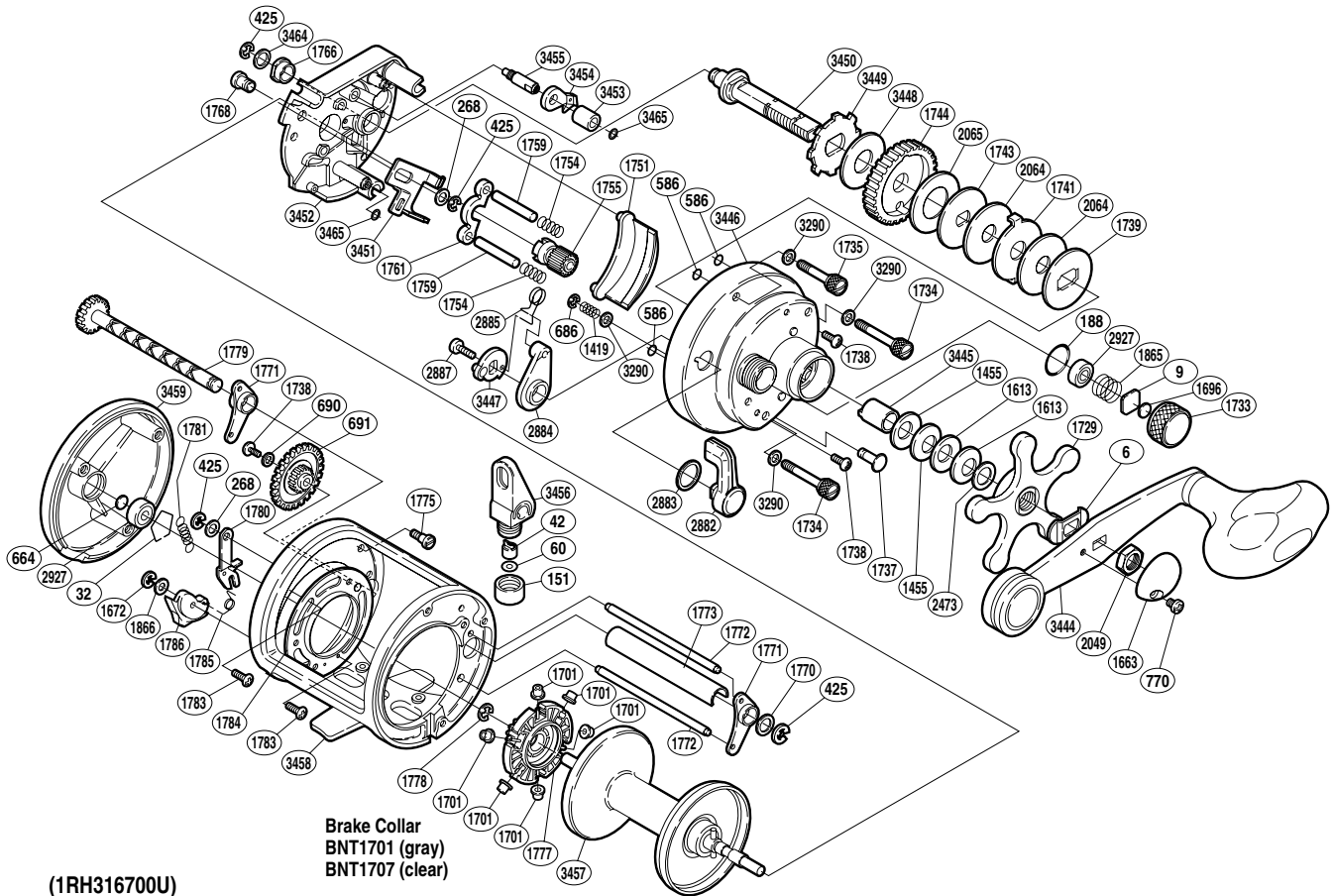


SHIMANO®

CALCUTTA ⚙️ A-RB

CT-700B



Part No.	Description	Part No.	Description	Part No.	Description
BNT0006	Friction Washer	BNT1741	Eared Washer	BNT2473	Star Drag Spacer
BNT0009	Cast Control Spacer A	BNT1743	Key Washer	BNT2882	Clutch Lever
BNT0032	Bearing Retainer	BNT1744	Drive Gear	BNT2883	Smoother
BNT0042	Line Guide Pawl	BNT1751	Plastic Gear Plate	BNT2884	Eccentric Cam Bushing
BNT0060	Spacer	BNT1754	Yoke Spring	BNT2885	Clutch Spring
BNT0151	Pawl Cap	BNT1755	Pinion Gear	BNT2887	Screw
BNT0188	O Ring	BNT1759	Yoke Pin	BNT2927	Ball Bearing
BNT0268	Washer	BNT1761	Yoke	BNT3290	Washer
BNT0425	E Lock	BNT1766	Drive Shaft Bushing	BNT3444	Handle Assembly
BNT0586	O Ring	BNT1768	Clutch Button Guide Pin	BNT3445	Roller Clutch Inner Tube
BNT0664	Spacer B	BNT1770	Spacer	BNT3446	Right Side Plate
BNT0686	E Lock	BNT1771	Worm Bushing	BNT3447	Clutch Cam
BNT0690	Lock Washer	BNT1772	Stabilizer Bar	BNT3448	Drag Washer
BNT0691	Idle Gear B	BNT1773	Level Wind Guard	BNT3449	Anti-Reverse Ratchet
BNT0770	Screw	BNT1775	Side Plate Bolt	BNT3450	Drive Shaft
BNT1419	Spring	BNT1777	Click Gear Assembly	BNT3451	Yoke Plate
BNT1455	Drag Spring Washer H	BNT1778	E Lock	BNT3452	Set Plate A
BNT1613	Drag Spring Washer L	BNT1779	Worm Shaft	BNT3453	Anti-Reverse Pawl Collar
BNT1663	Handle Nut Plate	BNT1780	Click Pawl	BNT3454	Anti-Reverse Pawl
BNT1672	E Lock	BNT1781	Click Spring	BNT3455	Set Plate Insert
BNT1696	Cast Control Spacer B	BNT1783	Screw	BNT3456	Line Guide
BNT1701	Brake Collar (gray)	BNT1784	Set Plate B	BNT3457	Spool Assembly
BNT1729	Star Drag	BNT1785	Click Switch Spring	BNT3458	One-Piece Frame
BNT1733	Cast Control Cap	BNT1786	Click Switch	BNT3459	Left Side Plate
BNT1734	Side Plate Bolt	BNT1865	Spool Tension Spring	BNT3464	Washer
BNT1735	Side Plate Bolt	BNT1866	Spacer	BNT3465	Washer
BNT1737	Pressure Rivet	BNT2049	Handle Nut		
BNT1738	Screw	BNT2064	Drag Washer		
BNT1739	Key Washer	BNT2065	Drag Washer	BNT1707	Brake Collar (clear)