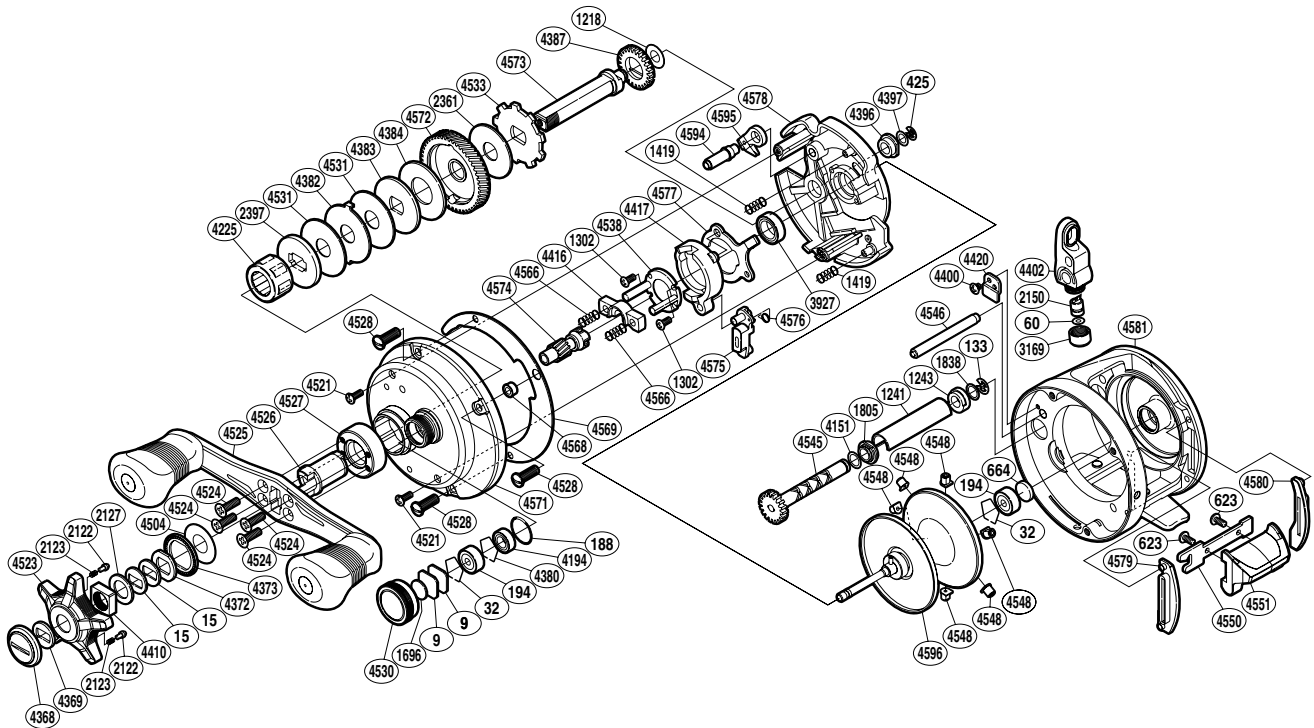


SHIMANO

CALCUTTA SA-RB

CT-301D



Please note that the number of adjusting washers may not be the same as shown in the exploded views. (Adjustment will vary with each individual product.)

(1RH318301U)

| Part No. | Description | Part No. | Description | Part No. | Description |
|----------|---------------------|----------|--------------------------|----------|--------------------------|
| BNT0009 | Spacer | BNT4194 | Ball Bearing | BNT4530 | Cast Control Cap |
| BNT0015 | Drag Spring Washer | BNT4225 | Roller Clutch Bearing | BNT4531 | Drag Washer |
| BNT0032 | Bearing Retainer | BNT4368 | Handle Bolt | BNT4533 | Anti-Reverse Ratchet |
| BNT0060 | Spacer | BNT4369 | Handle Lock Spring | BNT4538 | Clutch Cam Retainer |
| BNT0133 | E Lock | BNT4372 | Drive Shaft Shield | BNT4545 | Worm Shaft |
| BNT0188 | O Ring | BNT4373 | Star Drag Click Plate | BNT4546 | Level Wind Guide |
| BNT0194 | Ball Bearing | BNT4380 | Retainer | BNT4548 | Brake Collar |
| BNT0425 | E Lock | BNT4382 | Eared Washer | BNT4550 | Clutch Plate B |
| BNT0623 | Screw | BNT4383 | Key Washer | BNT4551 | Quick-Fire II Clutch Bar |
| BNT0664 | Spacer B | BNT4384 | Drag Washer | BNT4566 | Yoke Spring |
| BNT1218 | Spacer | BNT4387 | Idle Gear | BNT4568 | Screw Collar |
| BNT1241 | Level Wind Guard | BNT4396 | Drive Shaft Bushing | BNT4569 | Side Plate Support |
| BNT1243 | Worm Bushing B | BNT4397 | Washer | BNT4571 | Left Side Plate |
| BNT1302 | Screw | BNT4400 | Screw | BNT4572 | Drive Gear |
| BNT1419 | Spring | BNT4402 | Line Guide | BNT4573 | Drive Shaft |
| BNT1696 | Cast Control Spacer | BNT4410 | Star Drag Nut | BNT4574 | Pinion Gear |
| BNT1805 | Worm Bushing A | BNT4416 | Yoke | BNT4575 | Clutch Pawl |
| BNT1838 | Spacer | BNT4417 | Clutch Cam | BNT4576 | Clutch Pawl Spring |
| BNT2122 | Click Pin | BNT4420 | Worm Bushing Retainer | BNT4577 | Clutch Plate |
| BNT2123 | Click Spring | BNT4504 | Washer | BNT4578 | Set Plate |
| BNT2127 | Star Drag Spacer | BNT4521 | Screw | BNT4579 | Clutch Bar Guide B |
| BNT2150 | Line Guide Pawl | BNT4523 | Star Drag | BNT4580 | Clutch Bar Guide A |
| BNT2361 | Drag Washer | BNT4524 | Screw | BNT4581 | One-Piece Frame |
| BNT2397 | Key Washer | BNT4525 | Handle Assembly | BNT4594 | Anti-Reverse Pawl Pin |
| BNT3169 | Pawl Cap | BNT4526 | Roller Clutch Inner Tube | BNT4595 | Anti-Reverse Pawl |
| BNT3927 | Ball Bearing | BNT4527 | Handle Plate | BNT4596 | Spool Assembly |
| BNT4151 | Washer | BNT4528 | Screw | | |