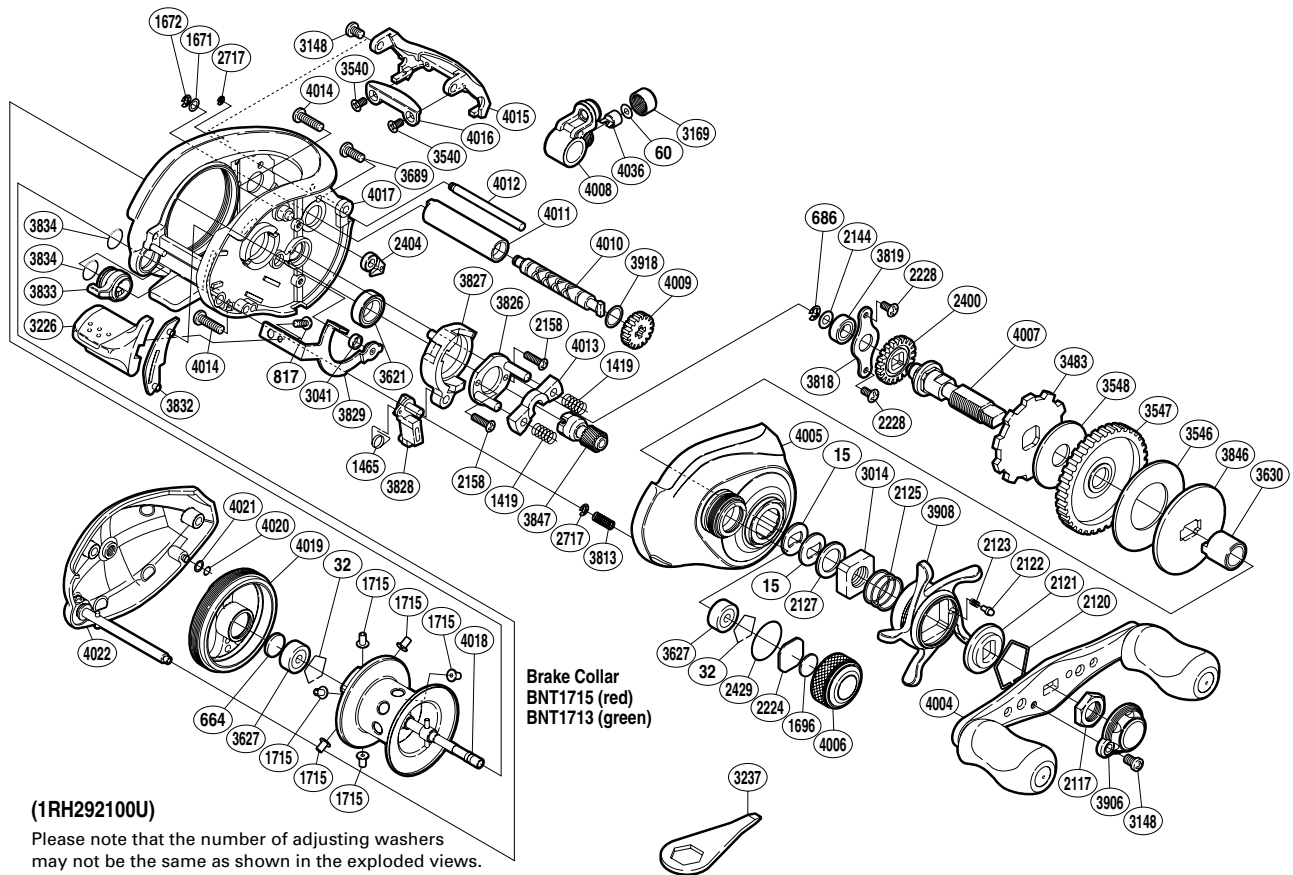


# SHIMANO

CHRONARCH S A-RB

CH-100D7



Part No.	Description	Part No.	Description	Part No.	Description
BNT0015	Drag Spring Washer	BNT3014	Star Drag Nut	BNT3908	Star Drag
BNT0032	Bearing Retainer	BNT3041	Clutch Plate Shaft Support	BNT3918	Washer
BNT0060	Spacer	BNT3148	Screw	BNT4004	Handle Assembly
BNT0664	Spacer B	BNT3169	Pawl Cap	BNT4005	Right Side Plate
BNT0686	E Lock	BNT3226	Quick-Fire II Clutch Bar	BNT4006	Cast Control Cap
BNT0817	Screw	BNT3483	Anti-Reverse Ratchet	BNT4007	Drive Shaft
BNT1419	Yoke Spring	BNT3540	Screw	BNT4008	Line Guide
BNT1465	Clutch Pawl Spring	BNT3546	Drag Washer	BNT4009	Idle Gear
BNT1671	Washer	BNT3547	Drive Gear	BNT4010	Worm Shaft
BNT1672	E Lock	BNT3548	Drag Washer	BNT4011	Level Wind Guard
BNT1696	Cast Control Spacer	BNT3621	Ball Bearing	BNT4012	Level Wind Guide
BNT1715	Brake Collar (red)	BNT3627	Ball Bearing	BNT4013	Yoke
BNT2117	Handle Nut	BNT3630	Roller Clutch Inner Tube	BNT4014	Screw
BNT2120	Click Plate Retainer	BNT3689	Screw	BNT4015	Level Wind Protector
BNT2121	Star Drag Click	BNT3813	Damper Spring	BNT4016	Line Guard Retainer
BNT2122	Click Pin	BNT3818	Drive Shaft Retainer	BNT4017	One-Piece Frame
BNT2123	Click Spring	BNT3819	Ball Bearing	BNT4018	Spool Assembly
BNT2125	Star Drag Spring	BNT3826	Clutch Cam Retainer	BNT4019	Brake Case
BNT2127	Star Drag Spacer	BNT3827	Clutch Cam	BNT4020	Washer
BNT2144	Washer	BNT3828	Clutch Pawl	BNT4021	O Ring
BNT2158	Screw	BNT3829	Clutch Plate	BNT4022	Left Side Plate
BNT2224	Spool Tension Spacer	BNT3832	Clutch Bar Guide B	BNT4036	Line Guide Pawl
BNT2228	Screw	BNT3833	Side Plate Cam Lever		
BNT2400	Idle Gear	BNT3834	O Ring		
BNT2404	Anti-Reverse Pawl	BNT3846	Key Washer		
BNT2429	O Ring	BNT3847	Pinion Gear	BNT1713	Brake Collar (green) (accessory)
BNT2717	E Lock	BNT3906	Handle Retainer	BNT3237	Wrench (accessory)