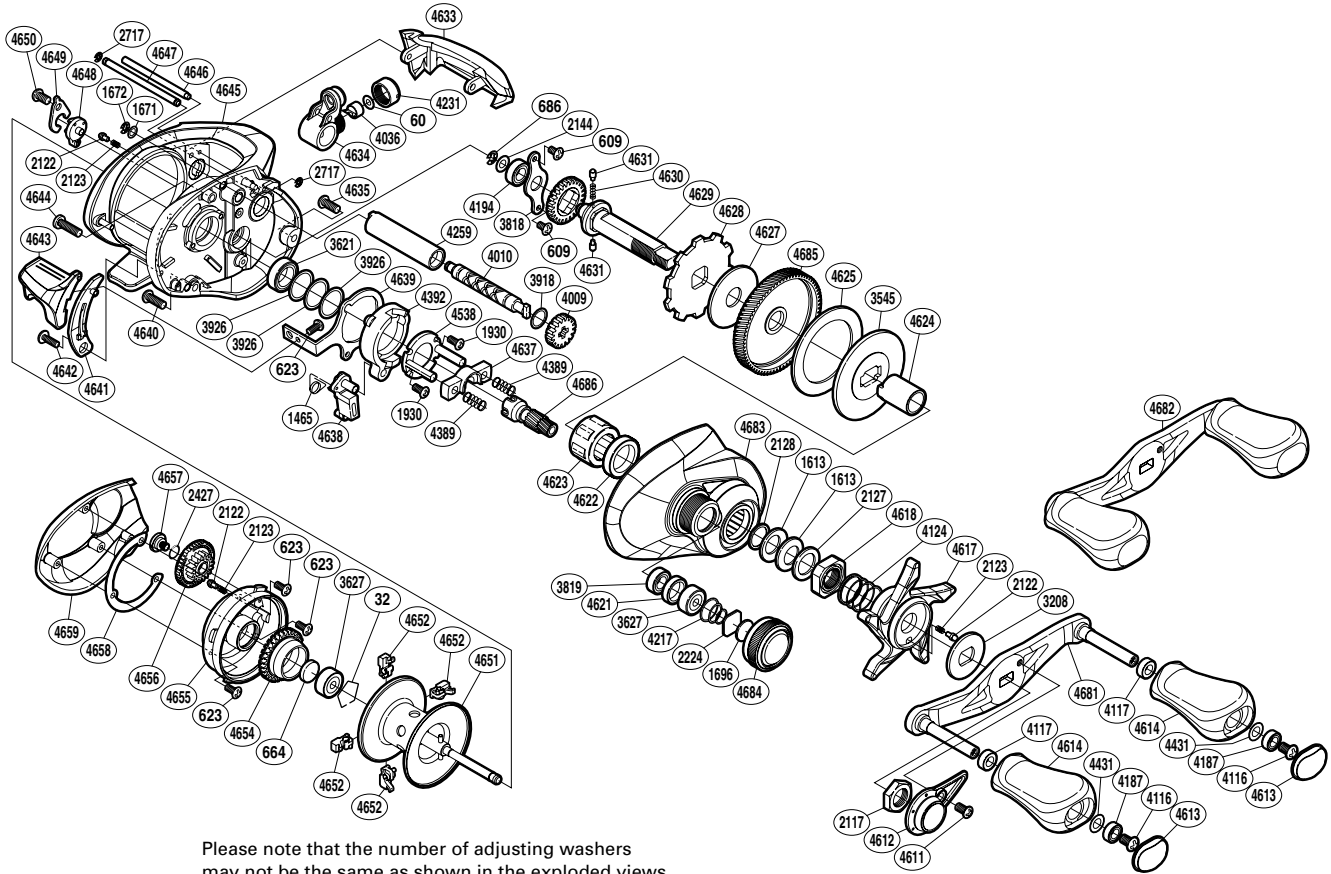


# SHIMANO

## CHRONARCH CI4+ SA-RB

## CH-CI4+150HG



Please note that the number of adjusting washers may not be the same as shown in the exploded views. (51RH29A150U) (Adjustment will vary with each individual product.)

Part No.	Description	Part No.	Description	Part No.	Description
BNT0032	Bearing Retainer	BNT4116	Screw	BNT4637	Yoke
BNT0060	Spacer	BNT4117	Handle Knob Bushing	BNT4638	Clutch Pawl
BNT0609	Screw	BNT4124	Star Drag Spring	BNT4639	Clutch Plate
BNT0623	Screw	BNT4187	Ball Bearing	BNT4640	Screw
BNT0664	Spacer B	BNT4194	Ball Bearing	BNT4641	Clutch Bar Guide
BNT0686	E Lock	BNT4217	Spool Tension Spring	BNT4642	Screw
BNT1465	Clutch Pawl Spring	BNT4231	Pawl Cap	BNT4643	Quick-Fire II Clutch Bar
BNT1613	Drag Spring Washer	BNT4259	Level Wind Guard	BNT4644	Screw
BNT1671	Washer	BNT4389	Yoke Spring	BNT4645	One-Piece Frame
BNT1672	E Lock	BNT4392	Clutch Cam	BNT4646	Stabilizer Bar
BNT1696	Cast Control Spacer	BNT4431	Washer	BNT4647	Line Guard
BNT1930	Screw	BNT4538	Clutch Cam Retainer	BNT4648	Side Plate Cam Lever
BNT2117	Handle Nut	BNT4611	Screw	BNT4649	Cam Lever Retainer
BNT2122	Click Pin	BNT4612	Handle Retainer	BNT4650	Screw
BNT2123	Click Spring	BNT4613	Handle Knob Seal	BNT4651	Spool Assembly
BNT2127	Star Drag Spacer	BNT4614	Handle Knob	BNT4652	Brake Shoe
BNT2128	Bearing Washer	BNT4617	Star Drag	BNT4654	Brake Pipe Gear
BNT2144	Washer	BNT4618	Star Drag Nut	BNT4655	Brake Case
BNT2224	Spool Tension Spacer	BNT4621	Bearing Spacer	BNT4656	BR Dial
BNT2427	O Ring	BNT4622	Drive Shaft Holder Bushing	BNT4657	Screw
BNT2717	E Lock	BNT4623	Roller Clutch Bearing	BNT4658	Brake Case Adjusting Washer
BNT3208	Star Drag Click Plate	BNT4624	Roller Clutch Inner Tube	BNT4659	Left Side Plate
BNT3545	Key Washer	BNT4625	Drag Washer	BNT4681	Handle Shank Assembly
BNT3621	Ball Bearing	BNT4627	Drag Washer	BNT4682	Handle Assembly
BNT3627	Ball Bearing	BNT4628	Anti-Reverse Ratchet	BNT4683	Right Side Plate
BNT3818	Drive Shaft Retainer	BNT4629	Drive Shaft	BNT4684	Cast Control Cap
BNT3819	Ball Bearing	BNT4630	Idle Gear Spring	BNT4685	Drive Gear
BNT3918	Washer	BNT4631	Idle Gear Pin	BNT4686	Pinion Gear
BNT3926	Washer	BNT4632	Idle Gear		
BNT4009	Idle Gear	BNT4633	Level Wind Protector		
BNT4010	Worm Shaft	BNT4634	Line Guide		
BNT4036	Line Guide Pawl	BNT4635	Screw	BNT4692	B-100 Oil (accessory)