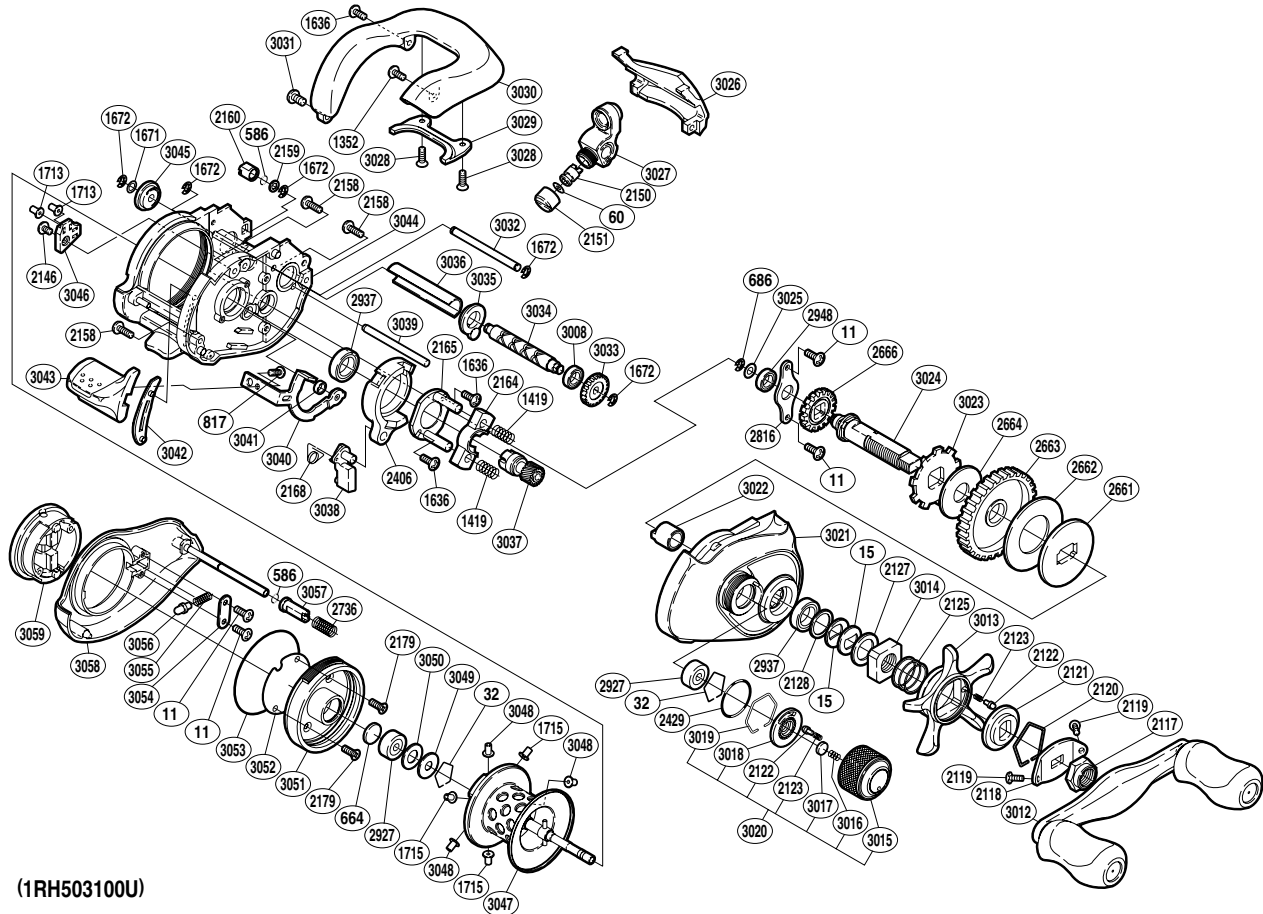


SHIMANO

CALAIS

CL-100A



(1RH503100U)

Part No.	Description	Part No.	Description	Part No.	Description
BNT0011	Multi-Purpose Screw	BNT2165	Clutch Cam Retainer	BNT3028	Line Guard Plate Screw
BNT0015	Drag Spring Washer	BNT2168	Clutch Pawl Spring	BNT3029	Line Guard Plate
BNT0032	Bearing Retainer	BNT2179	Brake Case Screw	BNT3030	Thumb Rest
BNT0060	Spacer (optional)	BNT2406	Clutch Cam	BNT3031	Thumb Rest Screw
BNT0586	"O" Ring	BNT2429	"O" Ring	BNT3032	Line Guard
BNT0664	Spacer (B)	BNT2661	Key Washer	BNT3033	Idle Gear (C)
BNT0686	"E" Lock	BNT2662	Drag Washer (C)	BNT3034	Worm Shaft
BNT0817	Clutch Bar Screw	BNT2663	Drive Gear	BNT3035	Level Bushing (A)
BNT1352	Screw	BNT2664	Drag Washer (A)	BNT3036	Worm Wind Guard
BNT1419	Yoke Spring	BNT2666	Idle Gear (A)	BNT3037	Pinion Gear (A)
BNT1636	Multi-Purpose Screw	BNT2736	Left Side Plate Spring	BNT3038	Clutch Pawl
BNT1671	Worm Shaft Washer	BNT2816	Drive Shaft Retainer	BNT3039	Level Wind Guide
BNT1672	"E" Lock	BNT2927	Ball Bearing	BNT3040	Clutch Plate
BNT1713	Brake Collar (green)	BNT2937	Ball Bearing	BNT3041	Clutch Plate Support Ring
BNT1715	Brake Collar (red)	BNT2948	Ball Bearing	BNT3042	Clutch Bar Guide (B)
BNT2117	Handle Nut	BNT3008	Ball Bearing	BNT3043	Quick-Fire II Clutch Bar
BNT2118	Handle Nut Plate	BNT3012	Handle Assembly	BNT3044	One-Piece Frame
BNT2119	Nut Plate Screw	BNT3013	Star Drag	BNT3045	Worm Bushing (B)
BNT2120	Click Plate Retainer	BNT3014	Star Drag Nut	BNT3046	SVS Holder
BNT2121	Star Drag Click	BNT3015	Cast Control Cap	BNT3047	Spool Assembly
BNT2122	Click Pin	BNT3016	Spool Tension Spring	BNT3048	Brake Collar (clear smoky)
BNT2123	Click Spring	BNT3017	Spool Tension Spacer	BNT3049	Bearing Spacer
BNT2125	Star Drag Spring	BNT3018	Cast Control Click Plate	BNT3050	Bearing Spacer (B)
BNT2127	Star Drag Spacer	BNT3019	Cast Control Click Holder	BNT3051	Brake Case
BNT2128	Bearing Washer	BNT3020	Cast Control Cap Assembly	BNT3052	Dial Spacer (optional)
BNT2146	SVS Holder Screw	BNT3021	Right Side Plate	BNT3053	"O" Ring
BNT2150	Line Guide Pawl	BNT3022	Roller Clutch Inner Tube	BNT3054	Dial Click Keeper
BNT2151	Pawl Cap	BNT3023	Anti-Reverse Ratchet	BNT3055	Dial Click Spring
BNT2158	Right Side Plate Screw	BNT3024	Drive Shaft	BNT3056	Dial Click Pin
BNT2159	Damper Washer	BNT3025	Drive Shaft Washer	BNT3057	Damper (A)
BNT2160	Damper (B)	BNT3026	Level Wind Protector	BNT3058	Left Side Plate
BNT2164	Yoke	BNT3027	Line Guide	BNT3059	Turnkey Dial

(180907)