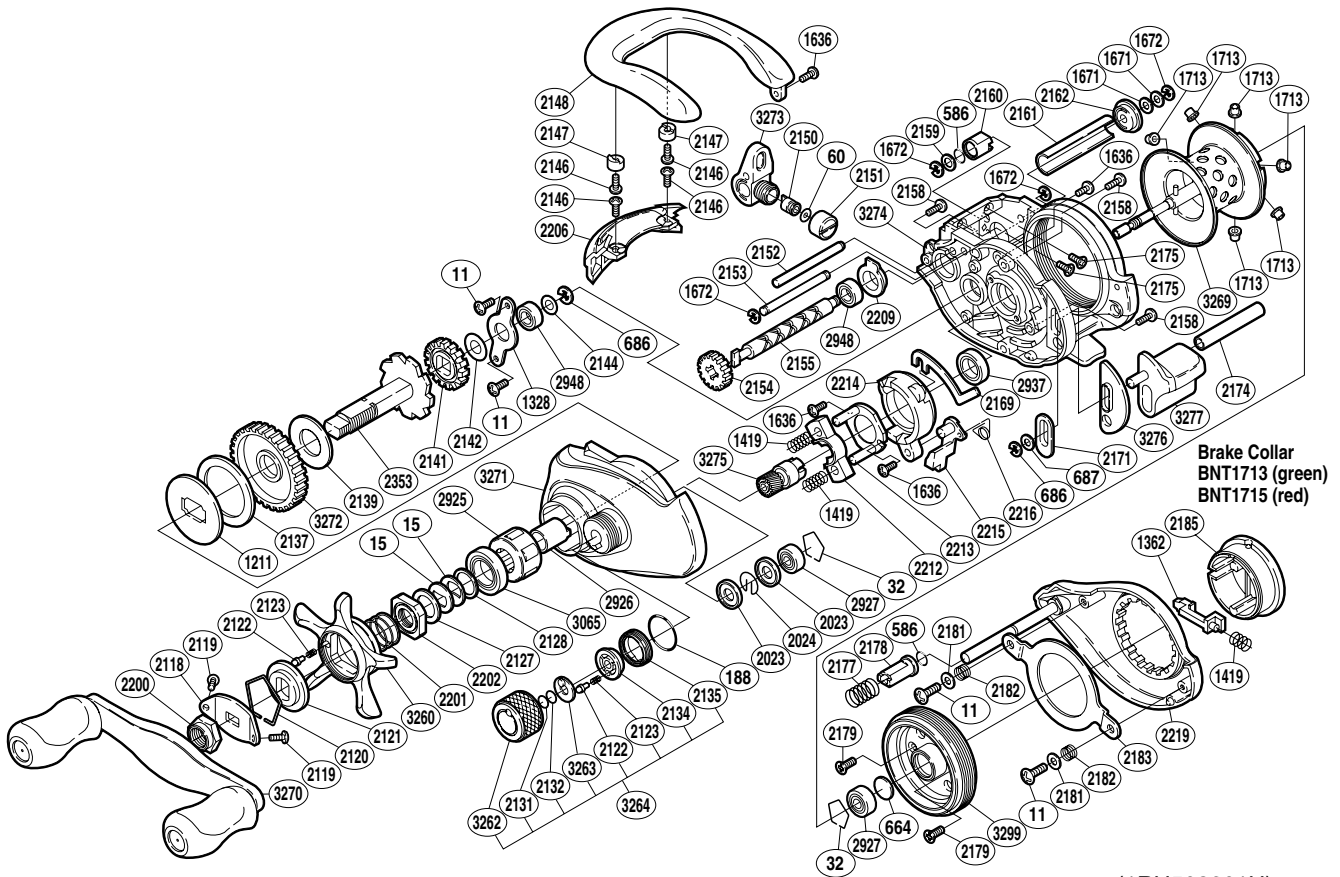


SHIMANO®

CALAIS A-RB

CL-201A



(1RH503201U)

| Part No. | Description | Part No. | Description | Part No. | Description |
|----------|---------------------------|----------|------------------------|----------|---------------------------|
| BNT0011 | Screw | BNT2139 | Drag Washer A | BNT2207 | Thumb Rest |
| BNT0015 | Drag Spring Washer | BNT2141 | Idle Gear A | BNT2209 | Worm Bushing A |
| BNT0032 | Bearing Retainer | BNT2142 | Idle Gear A Spacer | BNT2212 | Yoke |
| BNT0060 | Spacer | BNT2144 | Washer | BNT2213 | Clutch Cam Retainer |
| BNT0188 | O Ring | BNT2146 | Screw | BNT2214 | Clutch Cam |
| BNT0586 | O Ring | BNT2147 | Line Guard Screw Cover | BNT2215 | Clutch Pawl |
| BNT0664 | Spacer B | BNT2150 | Line Guide Pawl | BNT2216 | Clutch Pawl Spring |
| BNT0686 | E Lock | BNT2151 | Pawl Cap | BNT2219 | Right Side Plate |
| BNT0687 | Spacer | BNT2152 | Level Wind Guide | BNT2353 | Drive Shaft |
| BNT1211 | Key Washer | BNT2153 | Line Guard C | BNT2925 | Roller Clutch Bearing |
| BNT1328 | Drive Shaft Retainer | BNT2154 | Idle Gear C | BNT2926 | Roller Clutch Inner Tube |
| BNT1362 | Turnkey Pawl | BNT2155 | Worm Shaft | BNT2927 | Ball Bearing |
| BNT1419 | Yoke Spring | BNT2158 | Screw | BNT2937 | Ball Bearing |
| BNT1636 | Screw | BNT2159 | Washer | BNT2948 | Ball Bearing |
| BNT1671 | Washer | BNT2160 | Damper B | BNT3065 | Star Drag Bearing |
| BNT1672 | E Lock | BNT2161 | Level Wind Guard | BNT3260 | Star Drag |
| BNT1713 | Brake Collar (green) | BNT2162 | Worm Bushing B | BNT3262 | Cast Control Cap |
| BNT2023 | Spool Shaft Clip Holder | BNT2169 | Clutch Plate | BNT3263 | Cast Control Click Plate |
| BNT2024 | Spool Shaft Clip | BNT2171 | Clutch Bar Guide A | BNT3264 | Cast Control Cap Assembly |
| BNT2118 | Handle Nut Plate | BNT2174 | Clutch Bar Support | BNT3269 | Spool Assembly |
| BNT2119 | Screw | BNT2175 | Screw | BNT3270 | Handle Assembly |
| BNT2120 | Click Plate Retainer | BNT2177 | Damper Spring | BNT3271 | Left Side Plate |
| BNT2121 | Star Drag Click Plate | BNT2178 | Damper A | BNT3272 | Drive Gear |
| BNT2122 | Click Pin | BNT2179 | Screw | BNT3273 | Line Guide |
| BNT2123 | Click Spring | BNT2181 | Washer | BNT3274 | One-Piece Frame |
| BNT2127 | Star Drag Spacer | BNT2182 | Brake Case Ring Spring | BNT3275 | Pinion Gear |
| BNT2128 | Bearing Washer | BNT2183 | Brake Case Ring | BNT3276 | Clutch Bar Guide B |
| BNT2131 | Spool Tension Spacer B | BNT2185 | Turnkey Dial | BNT3277 | Quick-Fire II Clutch Bar |
| BNT2132 | Spool Tension Spacer A | BNT2200 | Handle Nut | BNT3299 | Brake Case |
| BNT2134 | Click Pin Holder | BNT2201 | Star Drag Spring | | |
| BNT2135 | Cast Control Click Holder | BNT2202 | Star Drag Nut | | |
| BNT2137 | Drag Washer C | BNT2206 | Level Wind Protector | BNT1715 | Brake Collar (red) |

(161015)